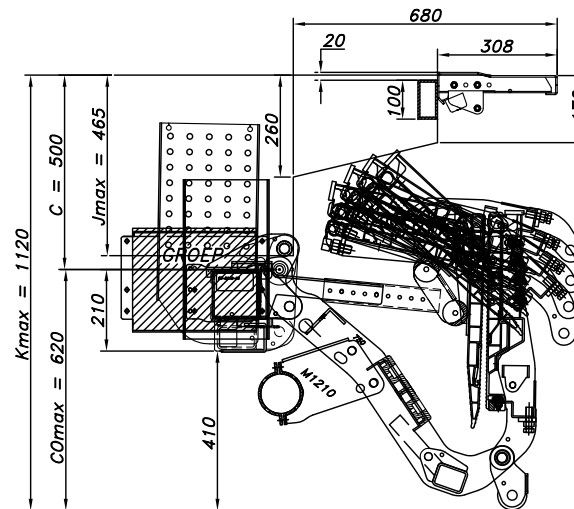
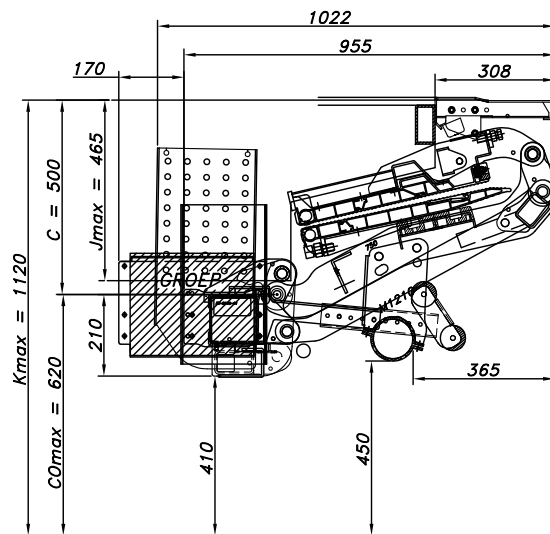
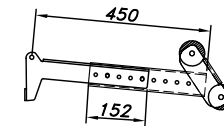
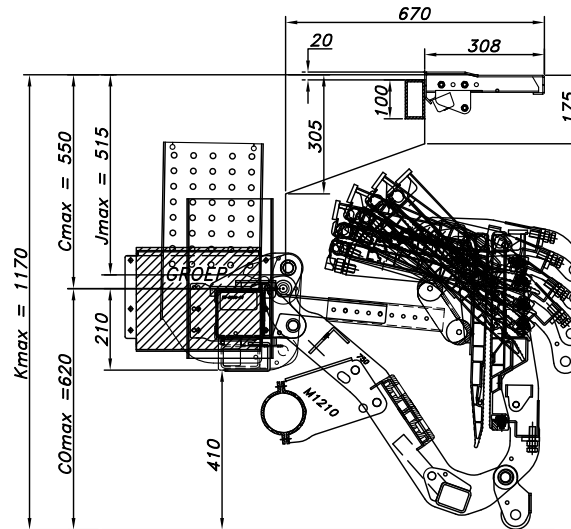
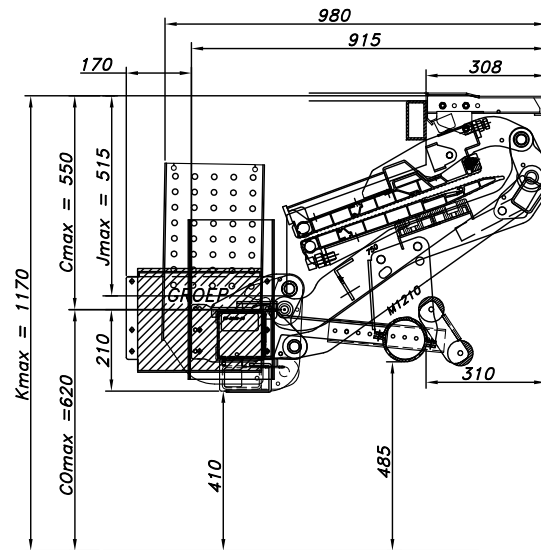


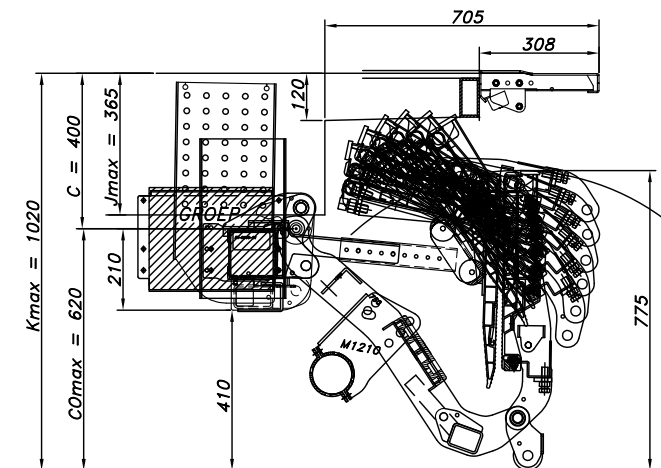
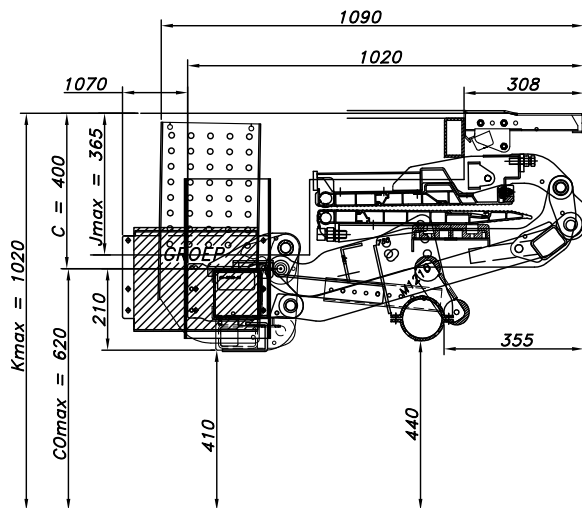
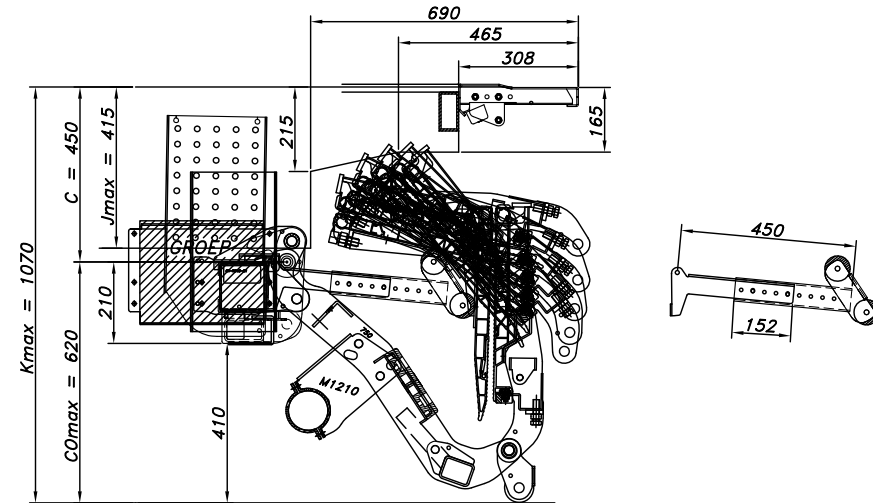
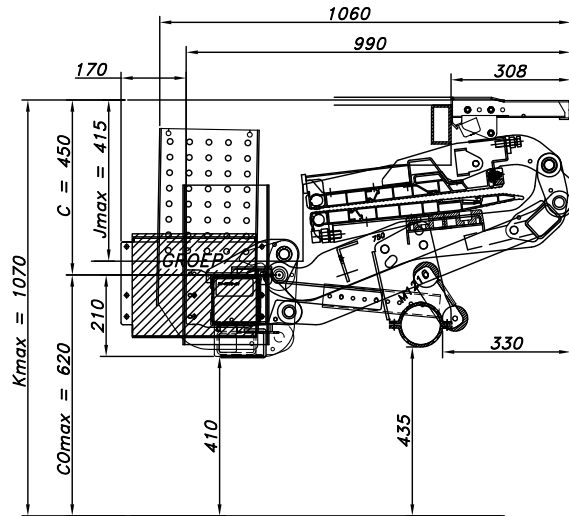
ARM = 750  
PLT = 1050



Consult the fitting instructions for further info. They can be obtained from Dhollandia, or downloaded from [www.dhollandia.com](http://www.dhollandia.com)

Dhollandia has a policy of continuous product improvement, and reserves the right to alter technical specifications without prior notice. Ask Dhollandia for further advice

ARM = 750  
 PLT = 1050





TECHNICAL INFORMATION

**DH-RC.10.02 750-1000 KG**

Doc: Fit-RC.10-arm 750-plt 1050-cutline drwg 01.dwg

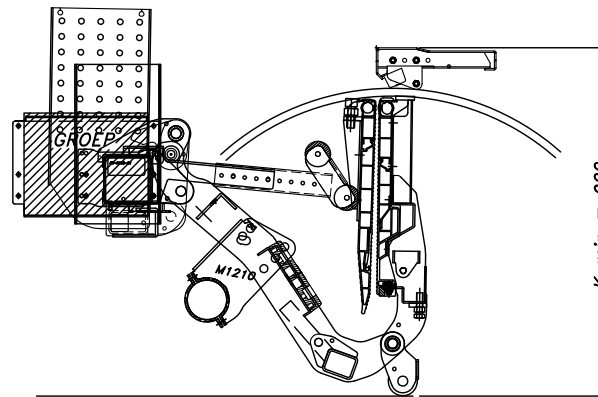
Date: 25/03/2013

All dimensions in mm unless stated otherwise

Rev. date: 25/05/2014

**ARM = 750**  
**PLT = 1050**

*K min?*



Consult the fitting instructions for further info. They can be obtained from Dhollandia, or downloaded from [www.dhollandia.com](http://www.dhollandia.com)

Dhollandia has a policy of continuous product improvement, and reserves the right to alter technical specifications without prior notice. Ask Dhollandia for further advice