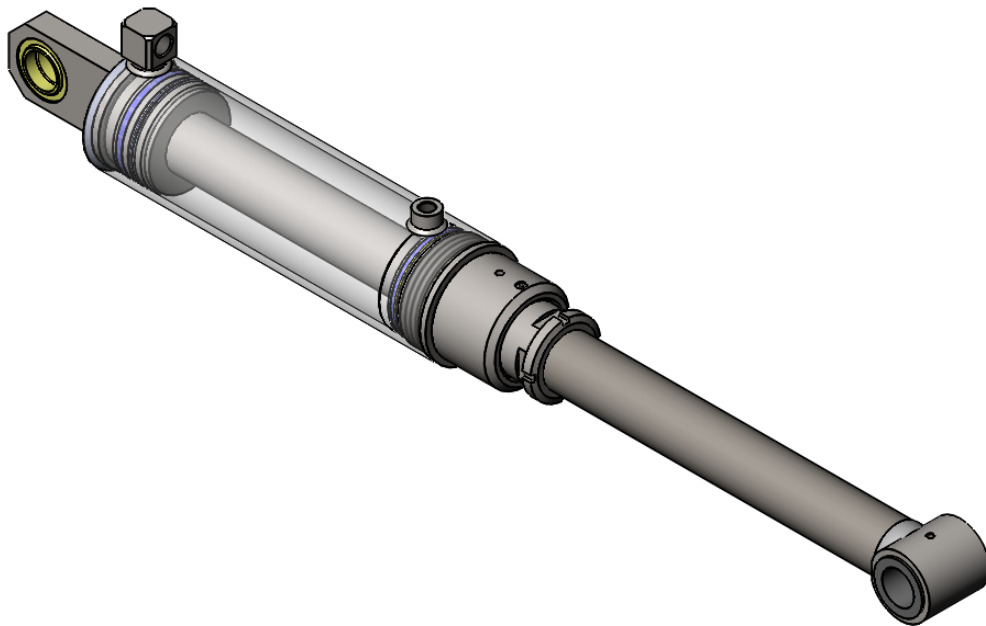
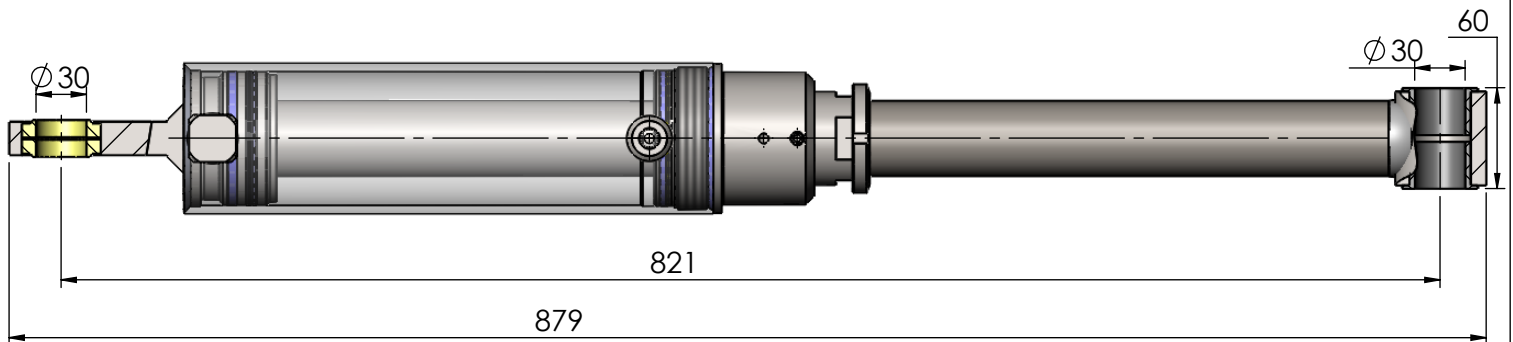
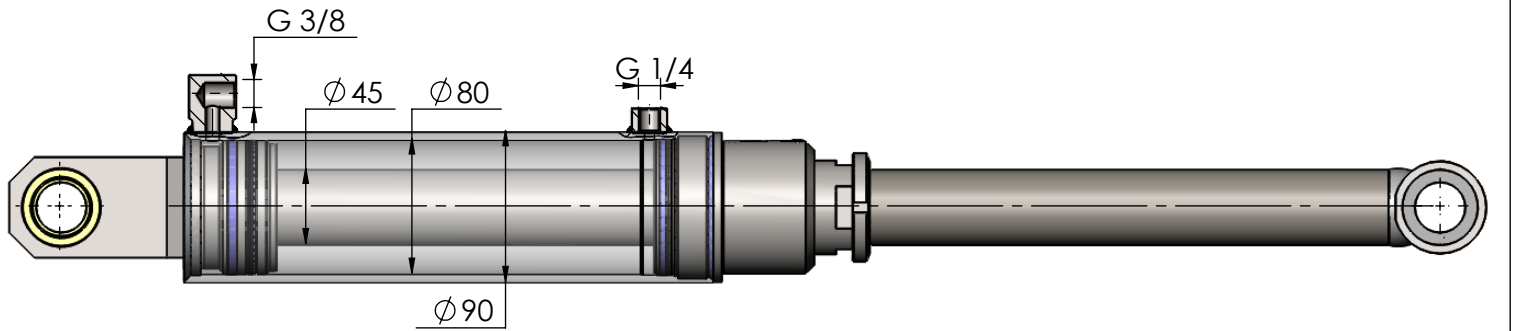


HACO part no. 1014871H



Tiltcylinder HACO Z-200-155 suitable for Zepro