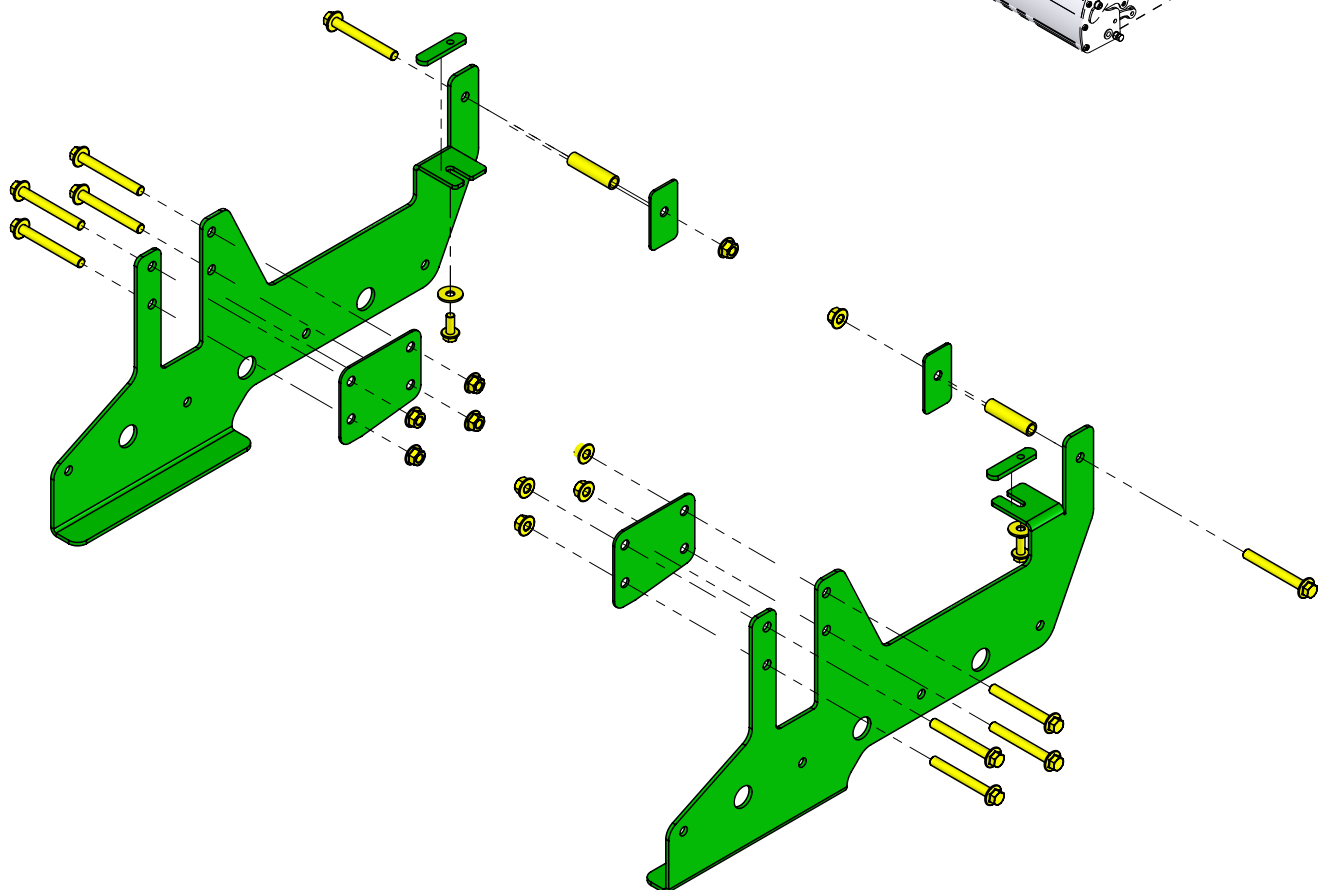
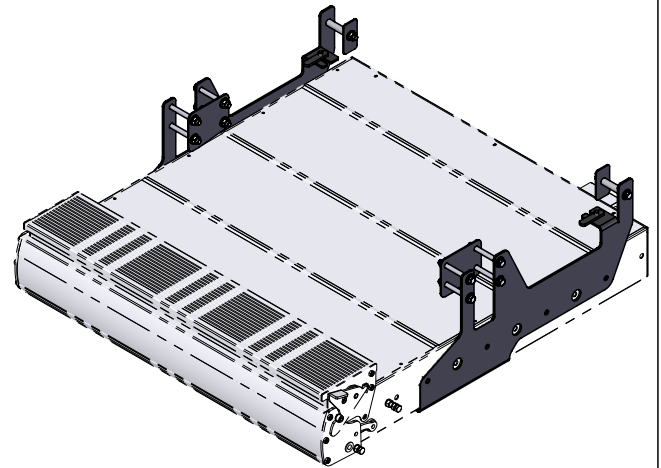
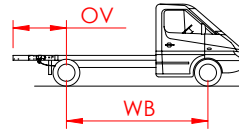


MM.8.M11.S- Mounting instructions

Mercedes Benz Sprinter VAN 2018

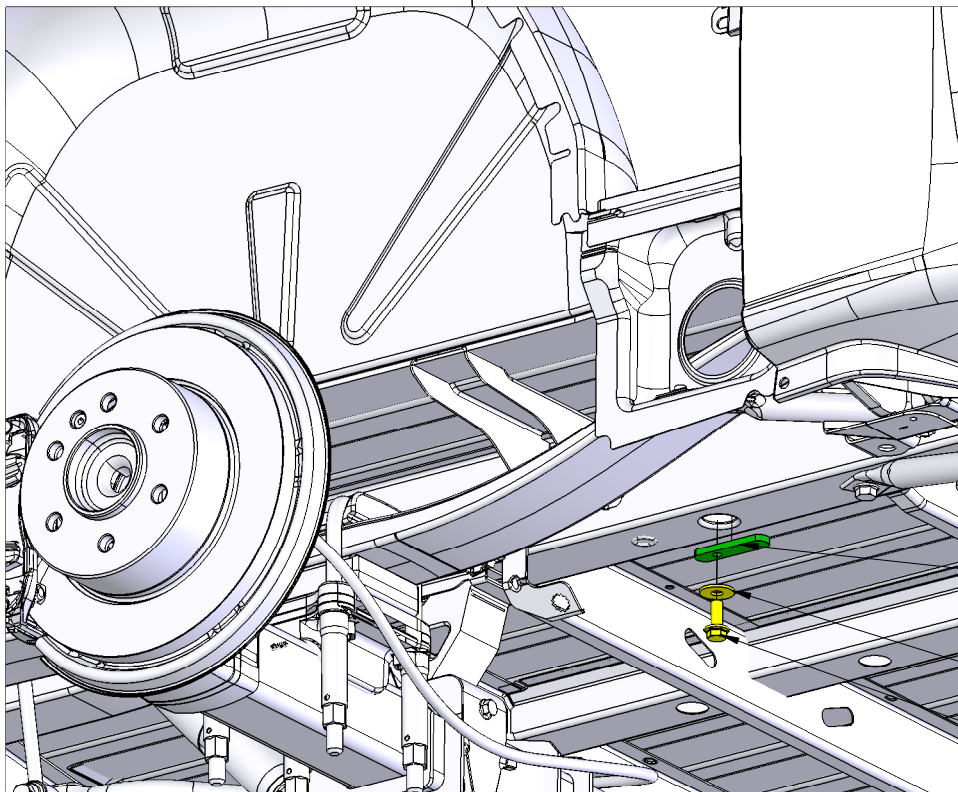
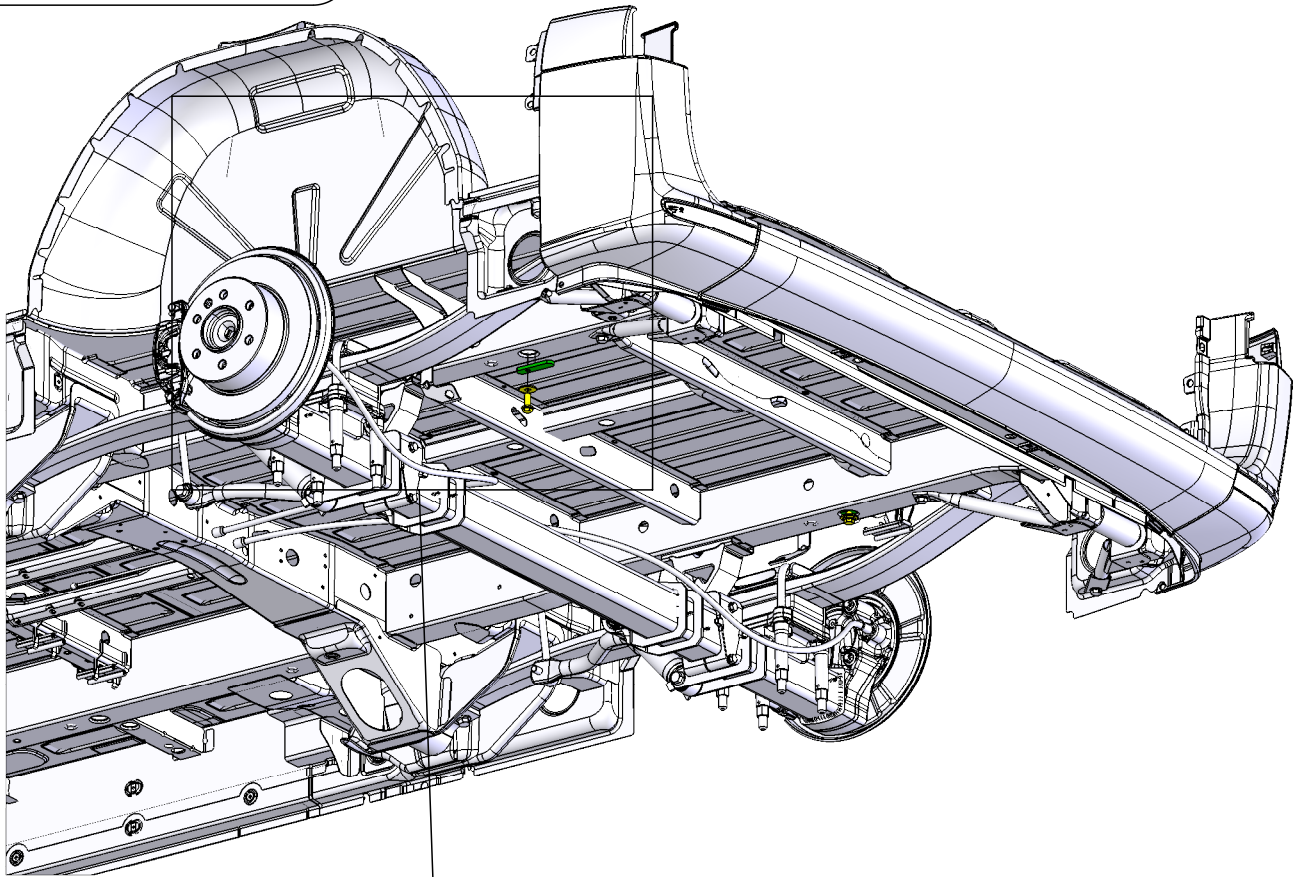
BACK DOOR INSTALLATION | LIFT TYPE: CH001.03.01

FWD | Single Wheel | WB=3924 | OV=xxxx



STEP 1

Both sides of vehicle



1. Screw bolt into the fixation plate
2. Insert plate into the frame of the car
3. Don't tighten the bolt until after STEP 2
4. Repeat on the other side

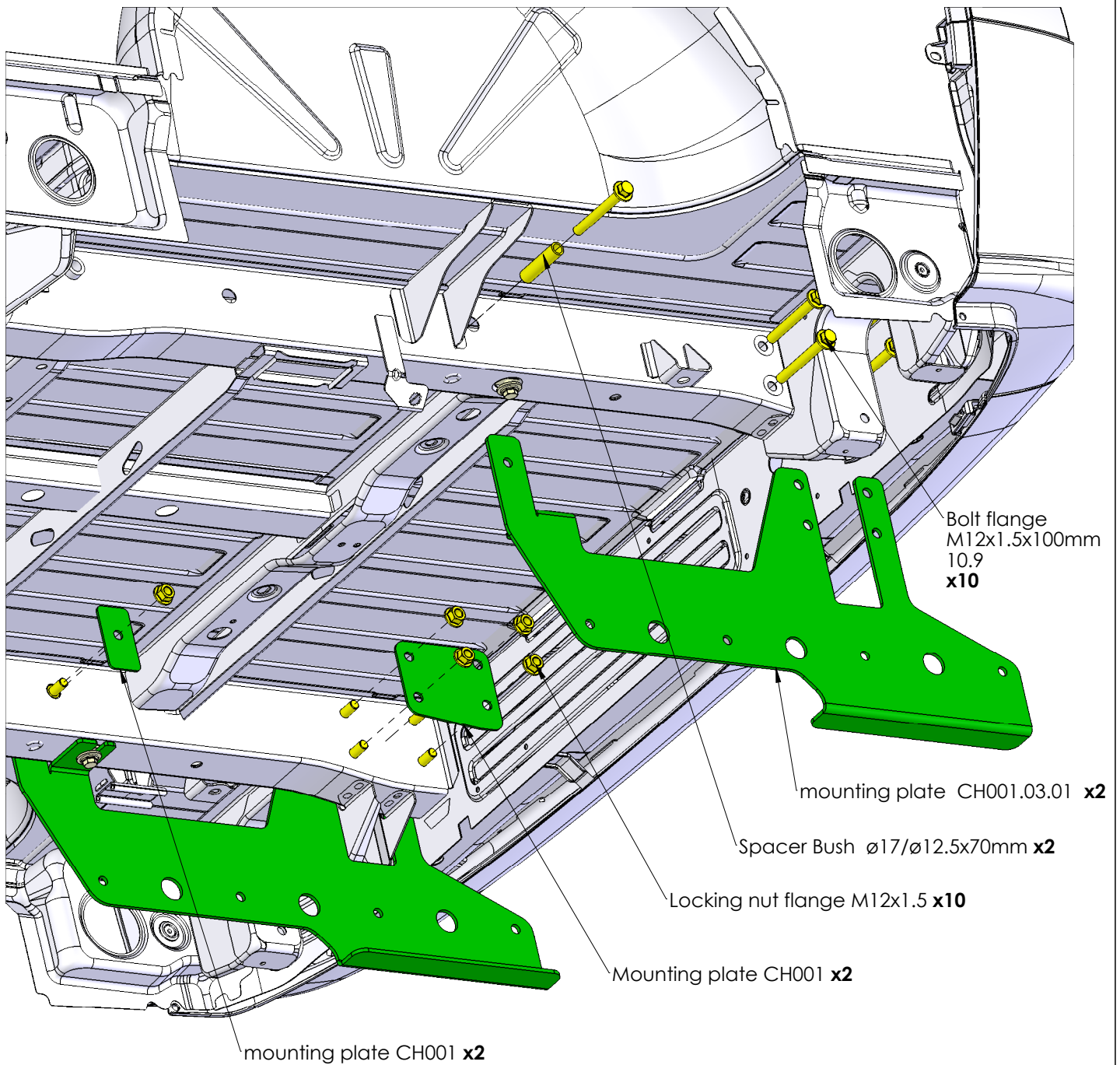
fixation plate mounting set
CH001.03.01 x1

Washer CARROSS M10 x1

Bolt flange M10x25mm DIN
6921 10.9
x1

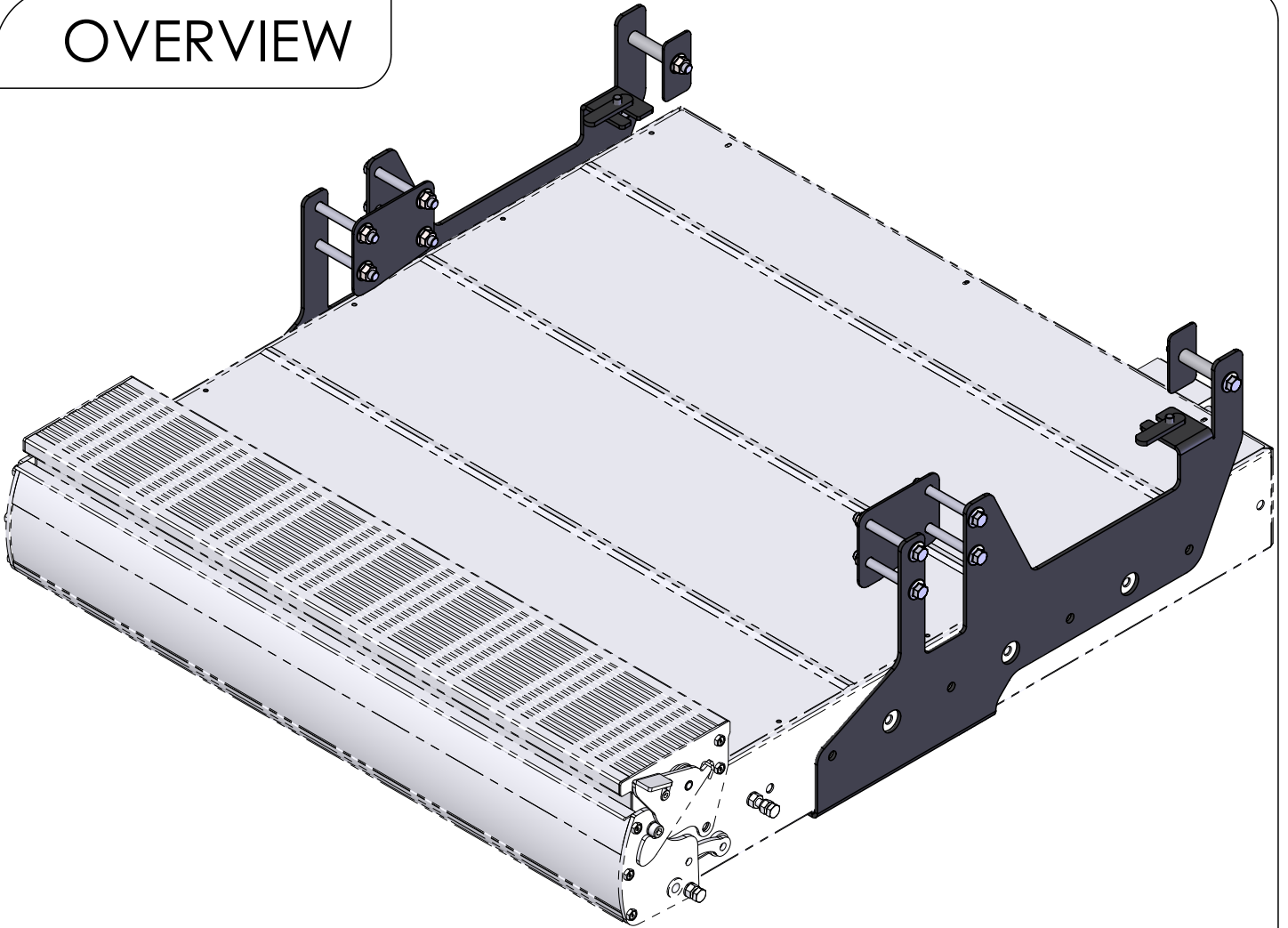


STEP 2



Reminder: Tighten bolt from STEP 1 after completing this STEP

OVERVIEW



OVERVIEW

