

MM.8.R05.R.S- Mounting instructions

Renault Master X62 MY2019

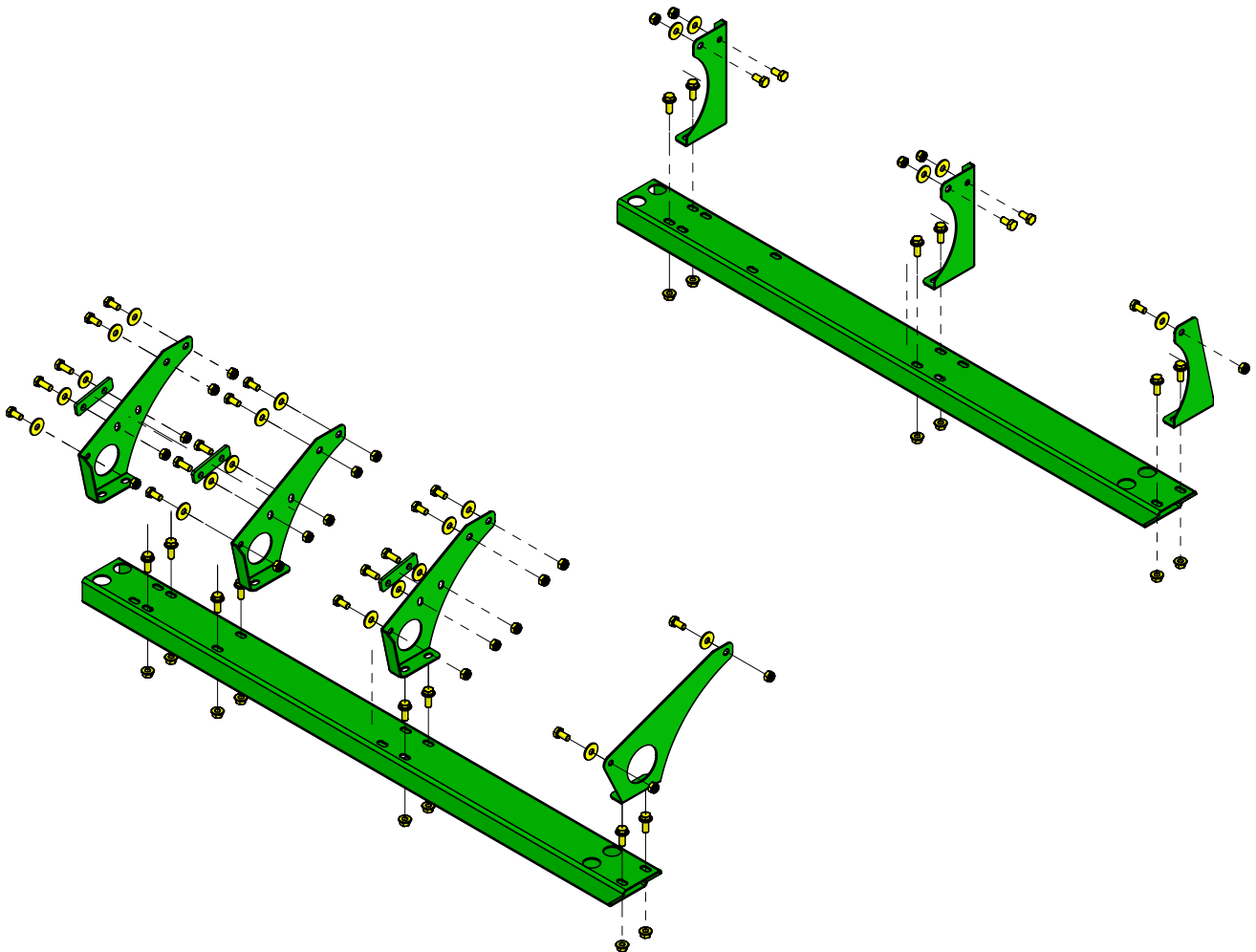
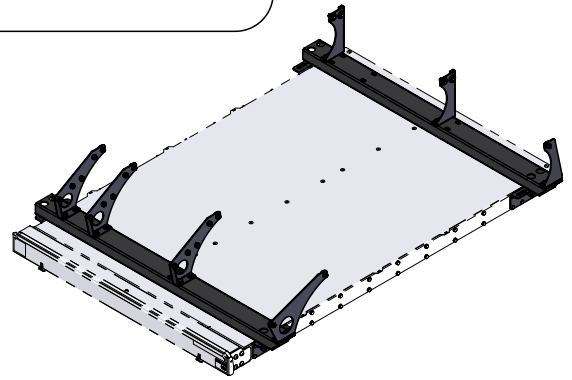
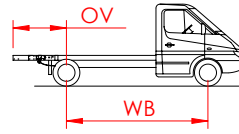
SIDE DOOR INSTALLATION | LIFT TYPE: CH104.03.01

FWD | Single Wheel | WB=3682 | OV=/

Renault Master X62 MY2010

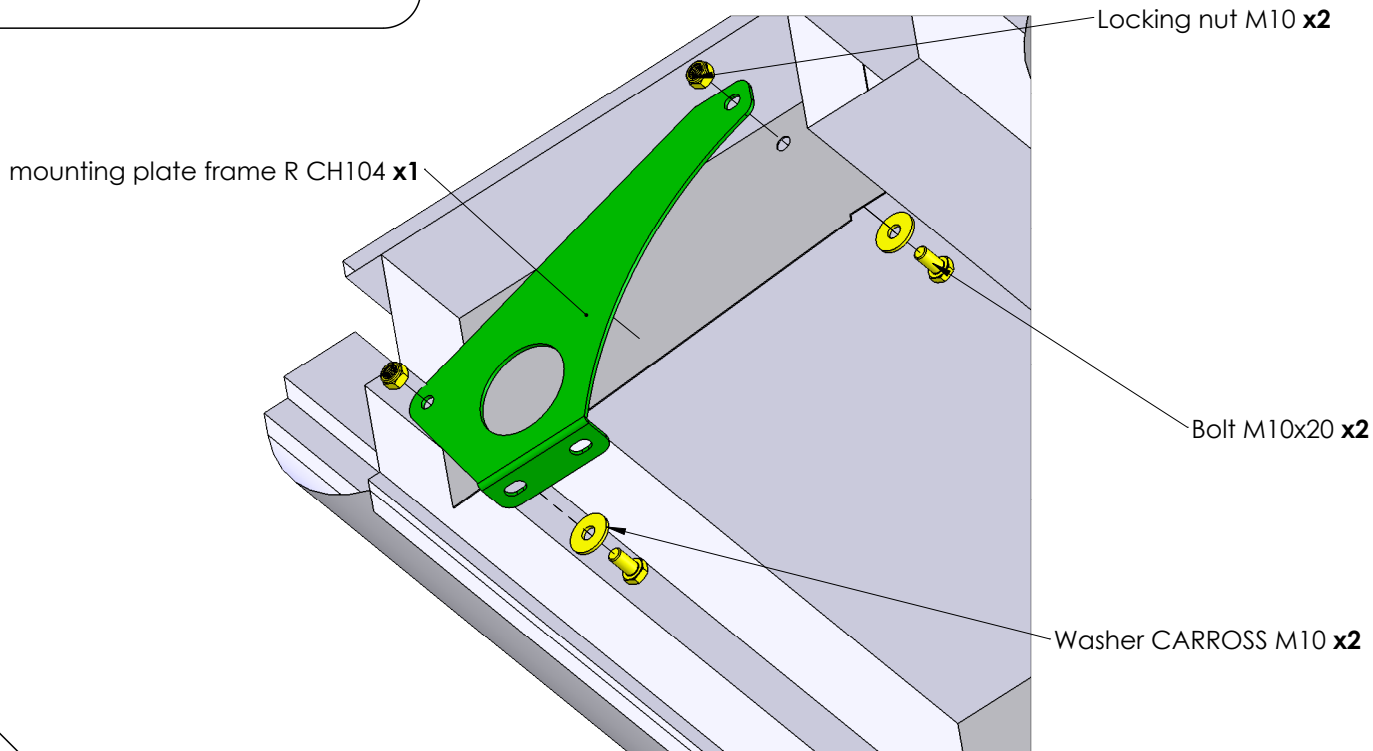
SIDE DOOR INSTALLATION | LIFT TYPE: CH104.03.01

FWD | Single Wheel | WB=3682 | OV=/



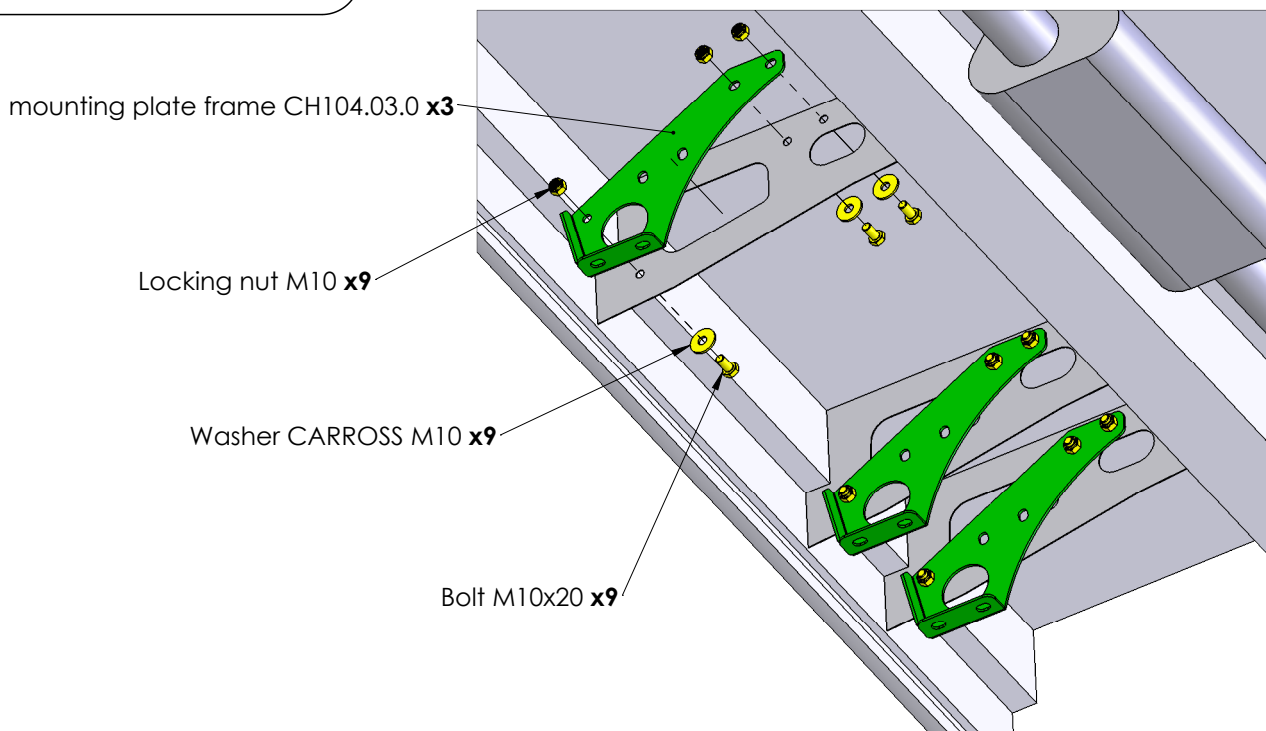
STEP 1

Right side vehicle



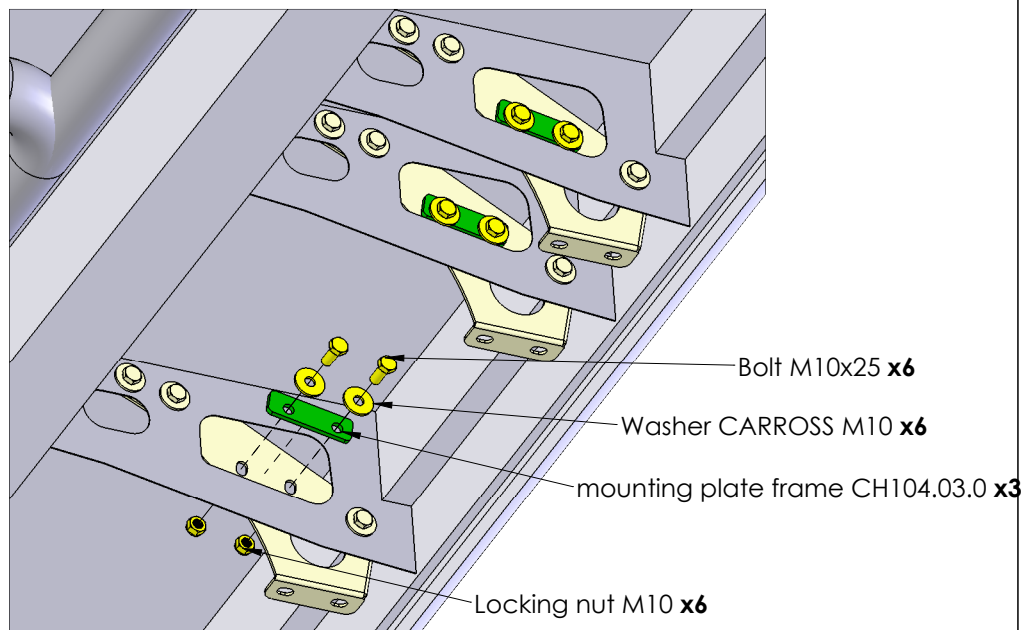
STEP 2

Right side vehicle



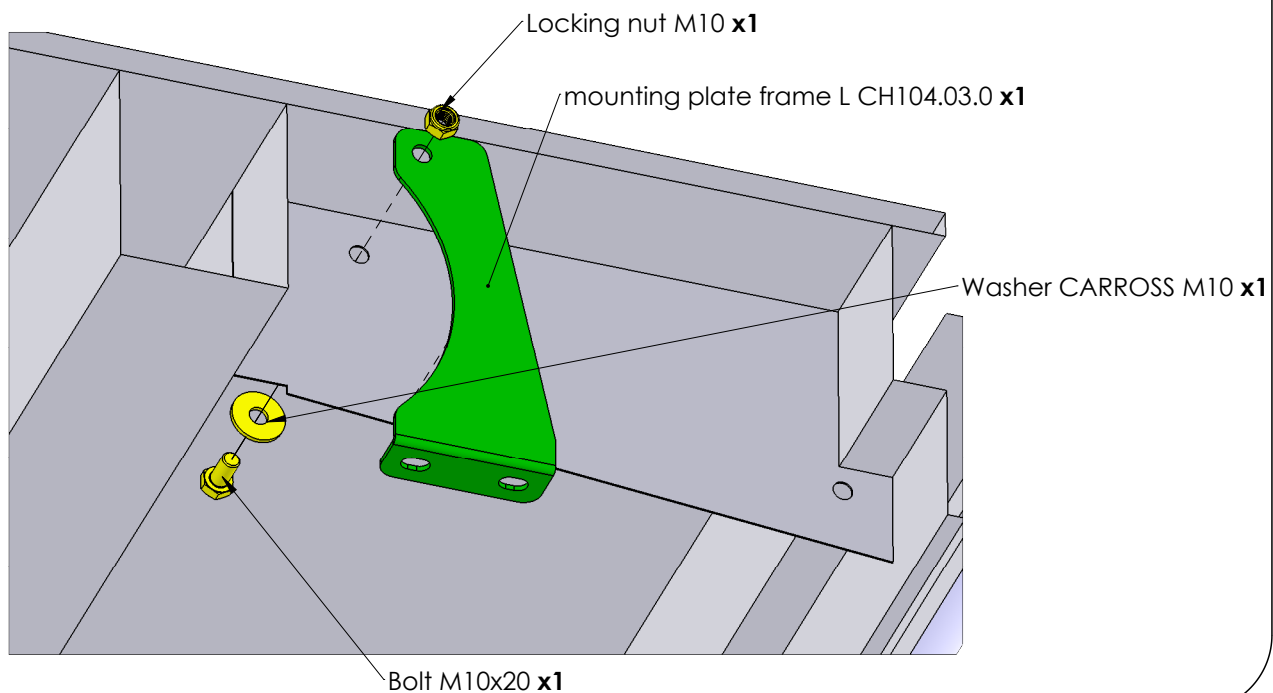
STEP 3

Right side vehicle



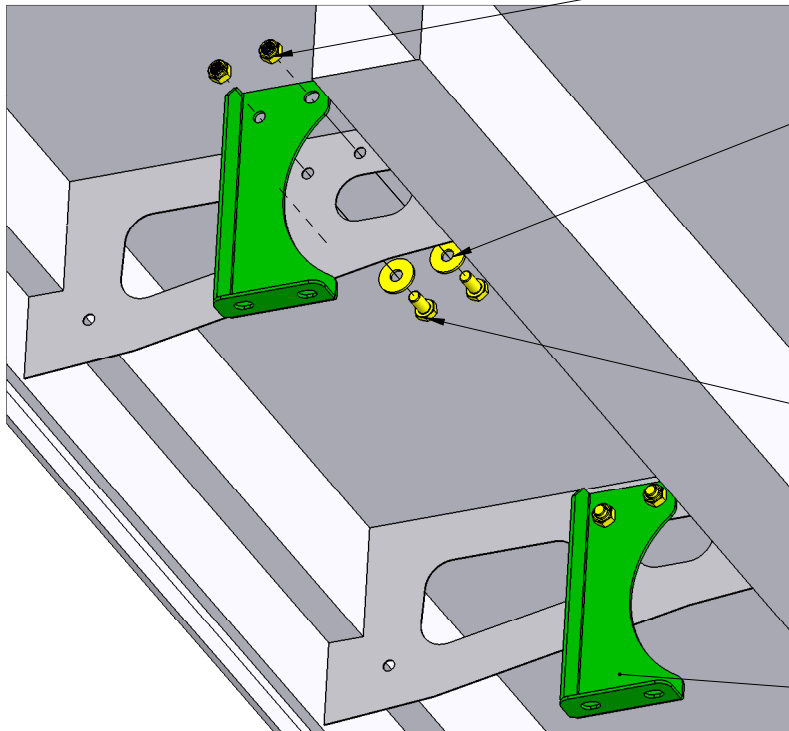
STEP 4

Left side vehicle



STEP 5

Left side vehicle



Locking nut M10 **x4**

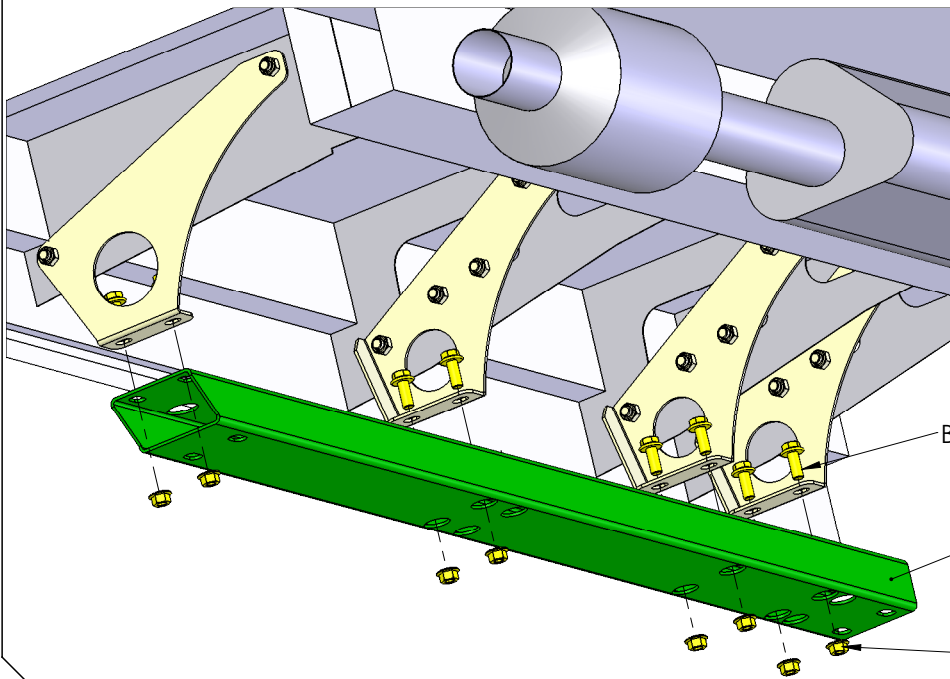
Washer CARROSS M10 **x4**

Bolt M10x20 **x4**

mounting plate frame CH104.03.0 **x2**

STEP 6

Right side vehicle



Bolt flange M10x25mm DIN 6921 10.9 **x8**

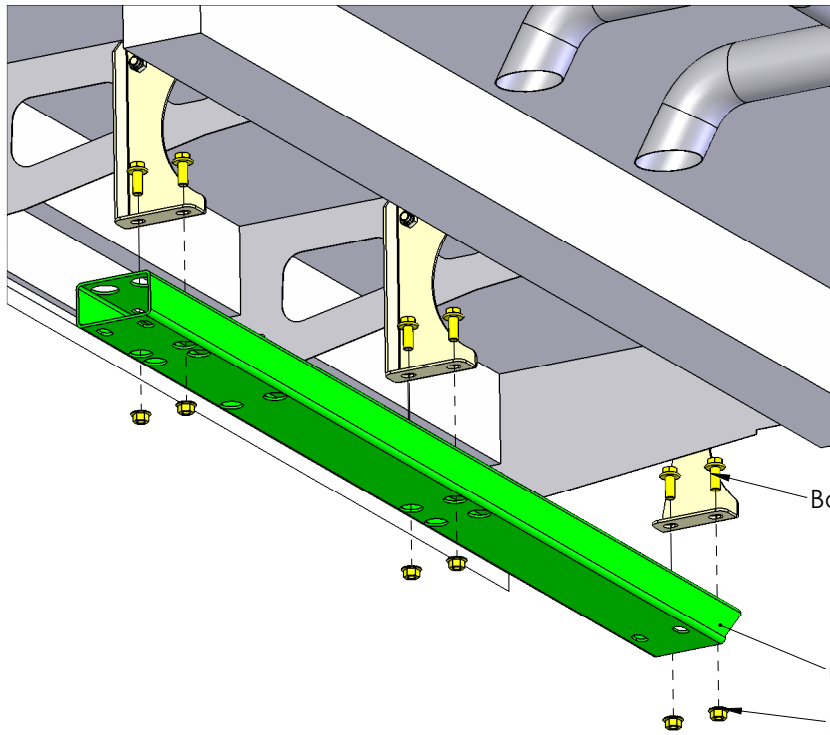
mounting beam support CH104.03.0 **x1**

Flange nut M10 **x8**



STEP 7

Left side vehicle



Bolt flange M10x25mm DIN 6921 10.9 **x6**

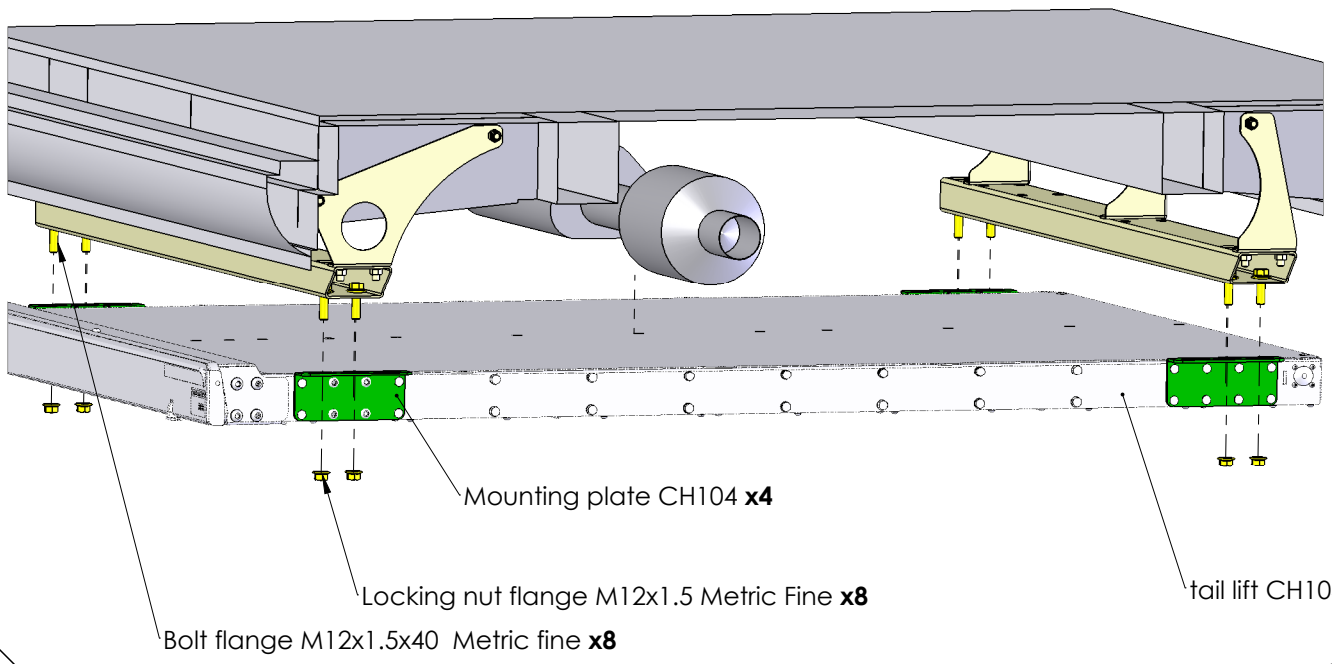
mounting beam support CH104.03.0 **x1**

Flange nut M10 **x6**

STEP 8

R

L



Mounting plate CH104 **x4**

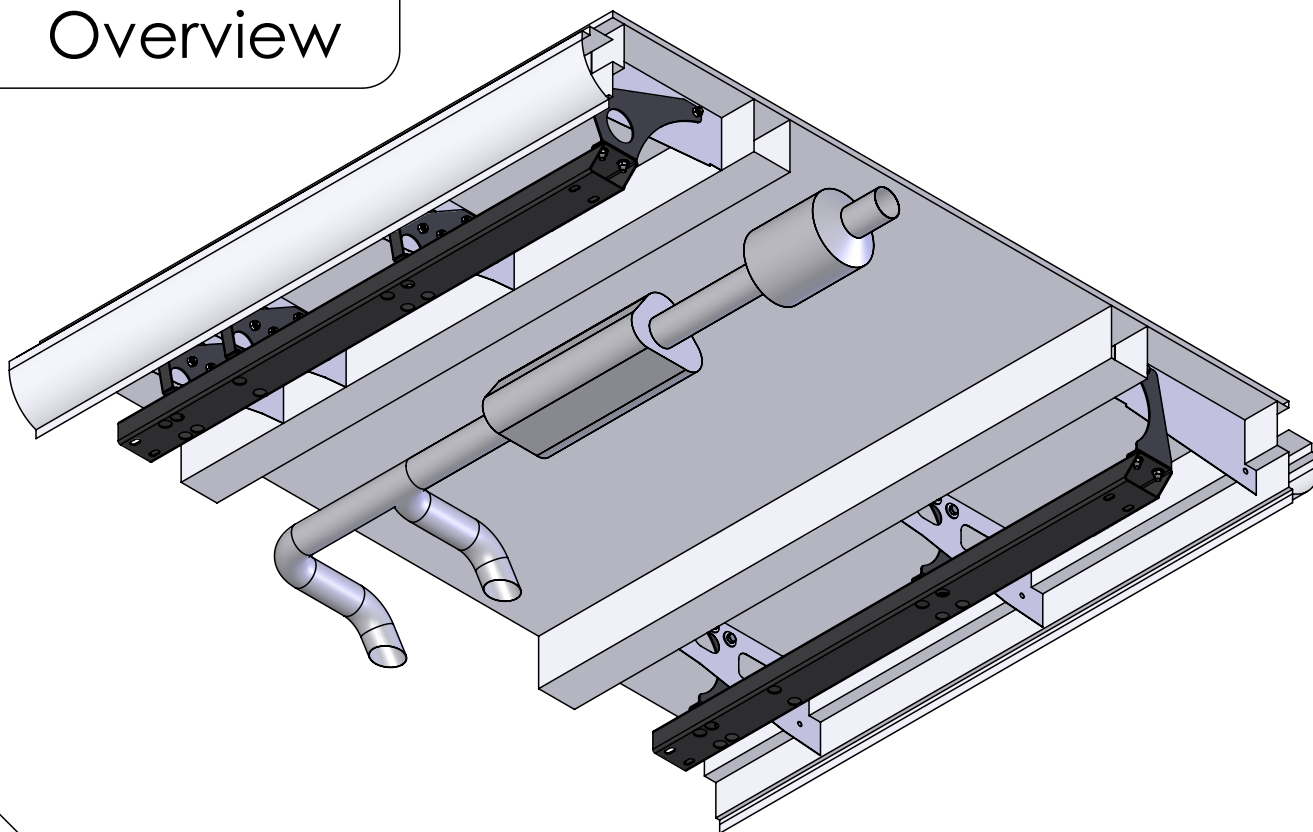
Locking nut flange M12x1.5 Metric Fine **x8**

Bolt flange M12x1.5x40 Metric fine **x8**

tail lift CH104 **x1**



Overview



Overview

